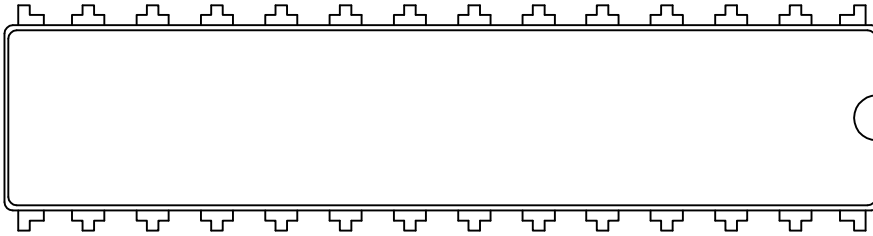
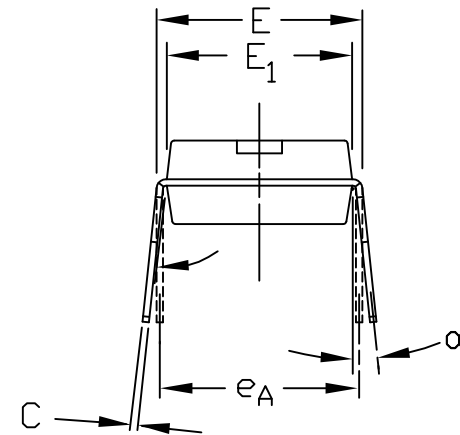
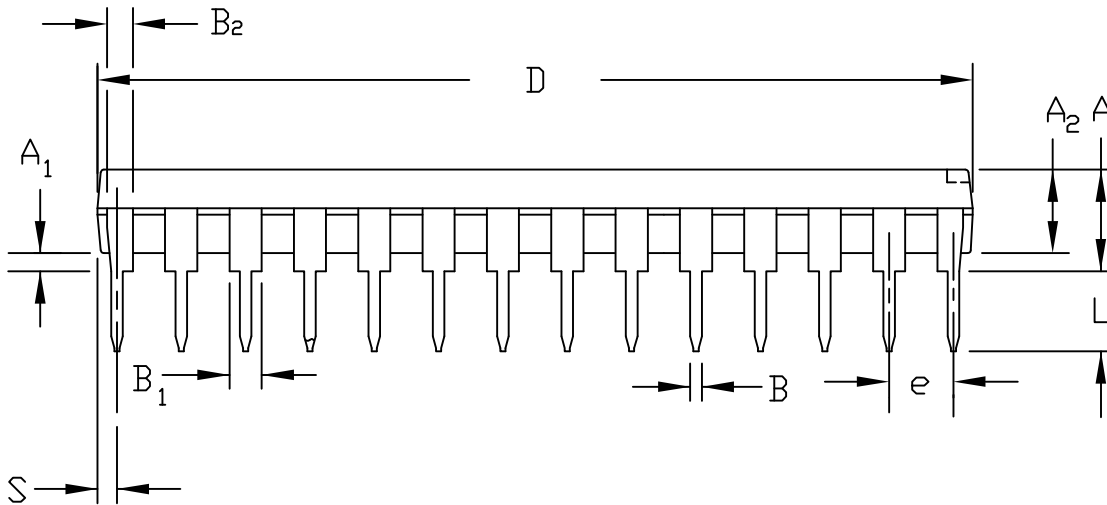


NOTES:

1. D&E DO NOT INCLUDE MOLD FLASH.
2. MOLD FLASH OR PROTRUSIONS NOT TO EXCEED .254mm(.010").
3. CONTROLLING DIMENSION: MILLIMETER.
4. MEETS JEDEC MS-095-AH.



DIM	INCHES		MILLIMETERS	
	MIN	MAX	MIN	MAX
A	---	0.180	---	4.572
A1	0.020	---	0.508	---
A2	0.125	0.175	3.175	4.45
B	0.015	0.021	0.381	0.533
B1	0.045	0.060	1.143	1.524
B2	0.035	0.045	0.889	1.143
C	0.009	0.014	0.229	0.355
D	1.360	1.380	34.54	35.052
E	0.300	0.325	7.620	8.255
E1	0.275	0.295	6.985	7.493
e	.100 BSC		2.540 BSC	
eA	.300 BSC		7.62 BSC	
L	0.115	0.150	2.921	3.810
α	0°	15°	0°	15°



MAXIM			
PROPRIETARY INFORMATION			
TITLE: 28L(NAR) PDIP OUTLINE			
APPROVAL	DOCUMENT CONTROL NO. 21-0400	REV B	1/1