

6

5

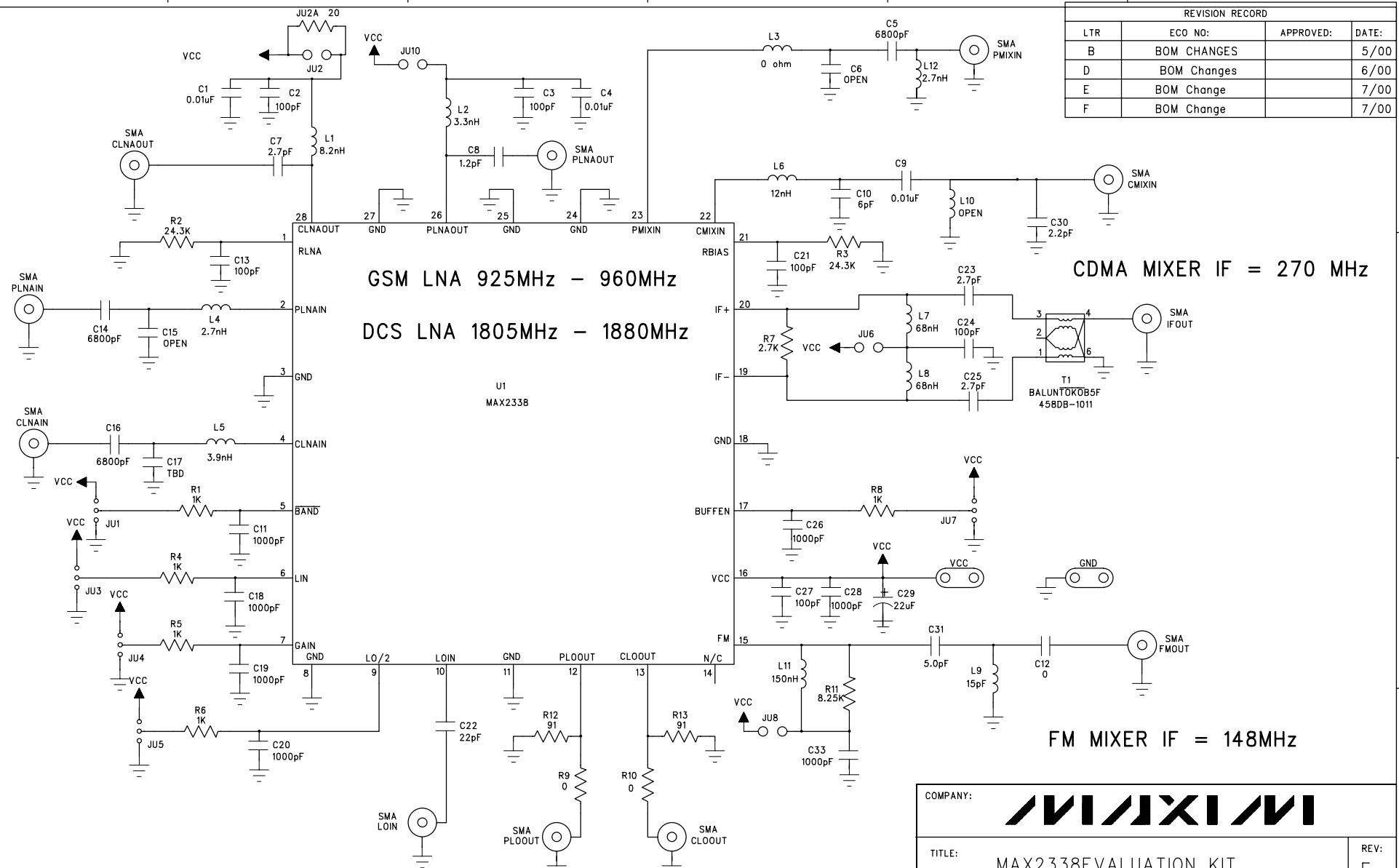
4

3

2

1

REVISION RECORD			
LTR	ECO NO:	APPROVED:	DATE:
B	BOM CHANGES		5/00
D	BOM Changes		6/00
E	BOM Change		7/00
F	BOM Change		7/00



GSM LNA 925MHz - 960MHz
DCS LNA 1805MHz - 1880MHz

CDMA MIXER IF = 270 MHz

FM MIXER IF = 148MHz

COMPANY: **MAXIM**

TITLE: MAX2338 EVALUATION KIT

REV: F

DRAWN: LYNE FRISON DATED: 4/10/2000

SCALE: SHEET: 1 OF 1

D

D

C

C

B

B

A

A