

6

5

4

3

2

1

D

C

B

A

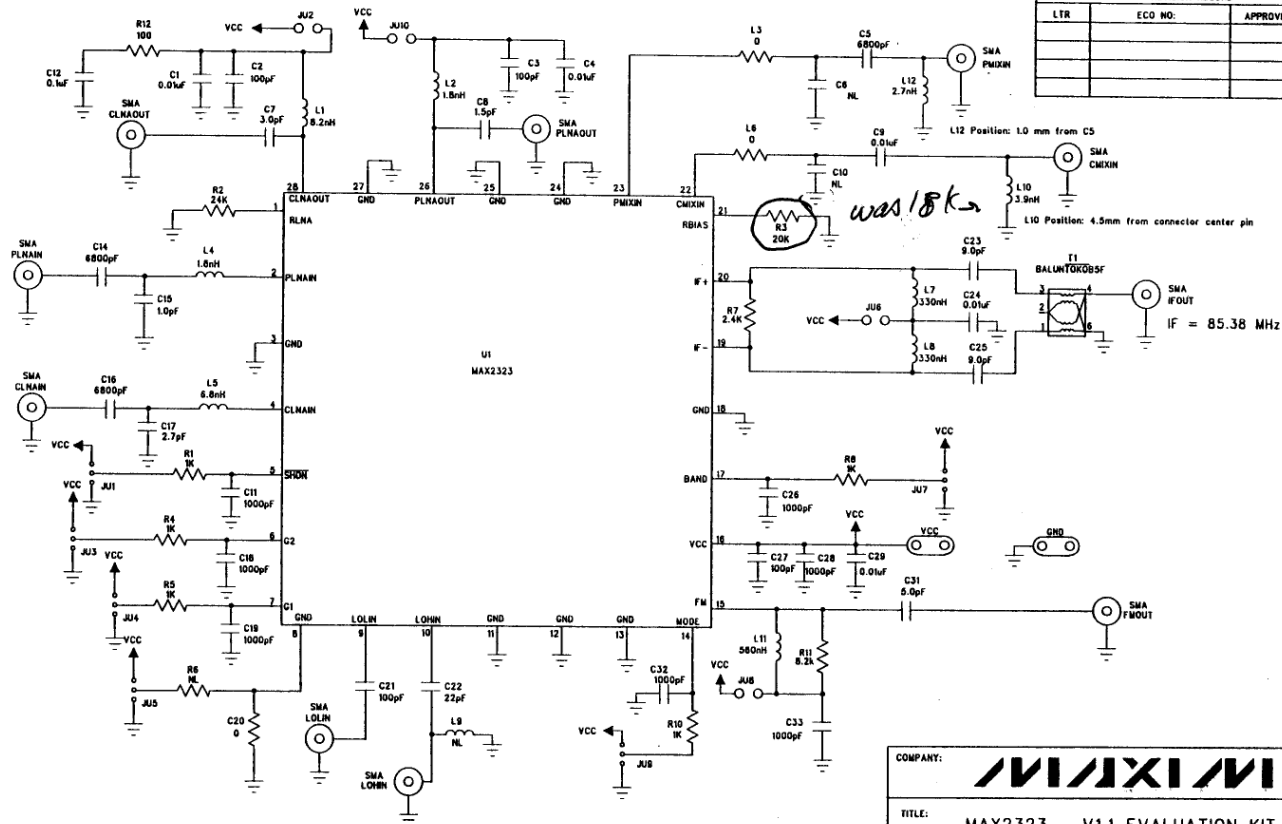
D

C

B

A

REVISION RECORD			
LTR	ECO NO.	APPROVED:	DATE:



COMPANY:

TITLE:

MAX2323 V1.1 EVALUATION KIT

REV:

1.1

DRAWN:

DATED:

FILE:

SHEET: 1 OF 1