

6

5

4

3

2

1

REVISION RECORD			
LTR	ECD NO.	APPROVED:	DATE:

D

D

C

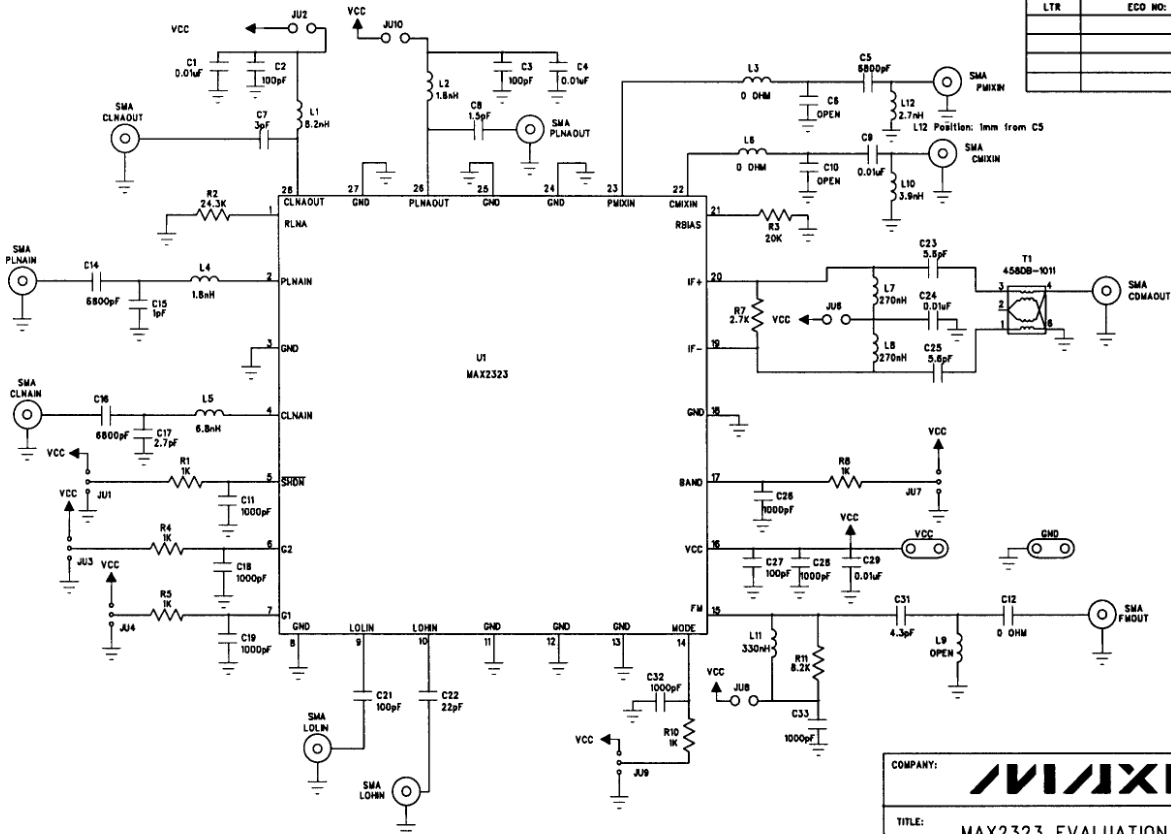
C

B

B

A

A



COMPANY:

TITLE:

MAX2323 EVALUATION KIT

REV:

A

DRAWN:

DATED:

SCALE:

SHEET: OF