

6

5

4

3

2

1

REVISION RECORD			
LTR	ECO NO.	APPROVED:	DATE:

D

D

C

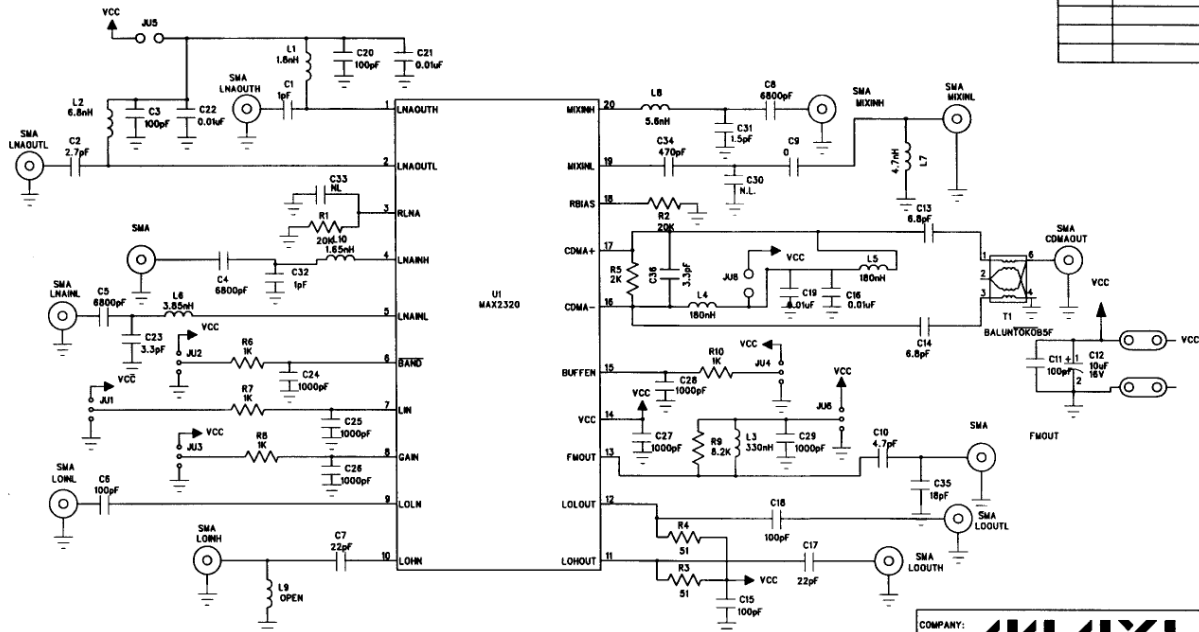
C

B

B

A

A



COMPANY:

TITLE:

MAX2320 EVALUATION KIT for 85MHz IF

CODE:

SIZE:

DRAWING NO.:

REV:

B

SCALE:

SHEET: OF