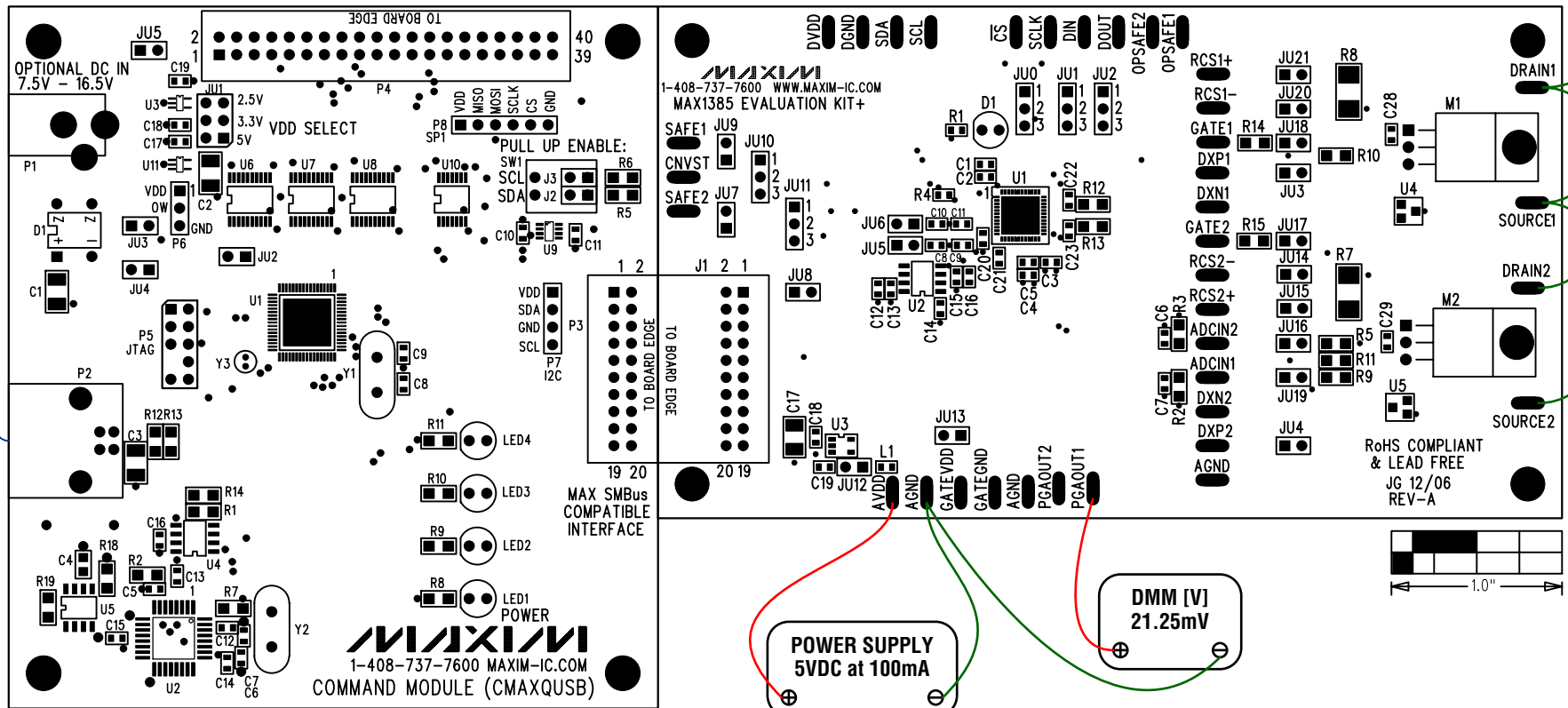


PC Running DEMO1385.EXE Program

DMM [V]
10.0V

POWER SUPPLY
10VDC at 1000mA

DMM [I]
125mA



POWER SUPPLY
5VDC at 100mA

DMM [V]
21.25mV

