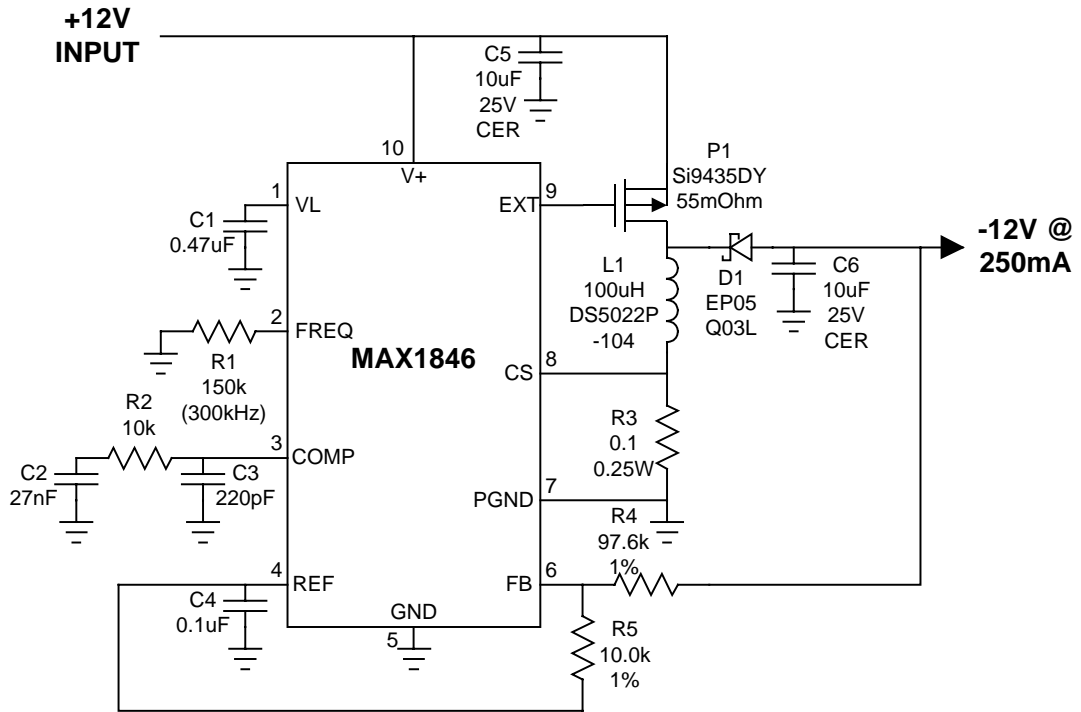


Server



1846-12b
RWY
08/10/01

+12V to -12V @ 250mA

BILL OF MATERIALS
11.4V to 12.6V Input
-12V @ 250mA Output
08/10/01

1846-12b

DESIGNATION	QTY	DESCRIPTION
C1	1	0.47uF ceramic capacitor (0805)
C2	1	27nF ceramic capacitor (0805)
C3	1	220pF ceramic capacitor (0805)
C4	1	0.1uF ceramic capacitor (0805)
C5,C6	2	10uF 25V ceramic capacitor (1812) Taiyo Yuden TMK432BJ106MM
C6	1	1500pF ceramic capacitor (0805)
D1	1	500mA 30V Schottky diode Nihon EP05Q03L
L1	1	100uH 1A Inductor Coilcraft DS5022P-104
P1	1	55m Ohm 30V P-channel MOSFET (SO-8) Siliconix Si9435DY
R1	1	150k Ohm 5% resistor (0805)
R2	1	10k Ohm 5% resistor (0805)
R3	1	100m Ohm 1% 0.25W resistor (1210)
R4	1	97.6k Ohm 1% resistor (0805)
R5	1	10.0k Ohm 1% resistor (0805)
U1	1	MAX1846EUB (10-uMAX)