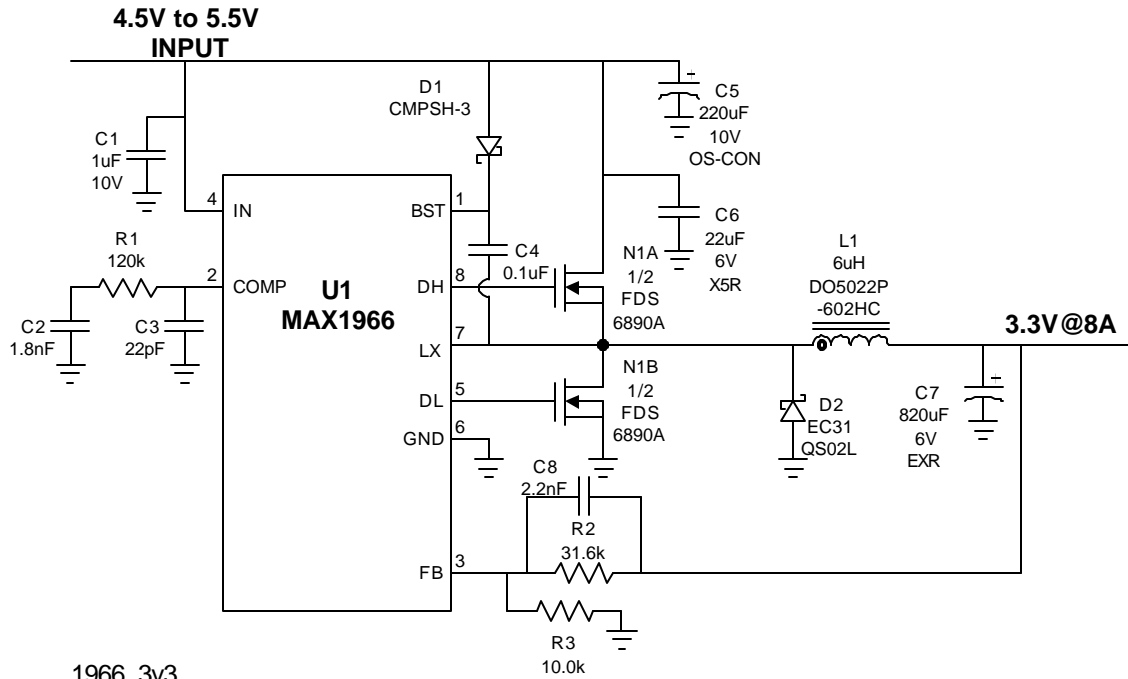


# Alphanumeric display



1966\_3v3  
RWY  
4/23/02

Vin	Iin	Vout	Iout	Efficiency
5.0056	0.027	3.3215	0	
4.4994	6.550	3.3063	8.009	0.898
4.9953	5.899	3.2981	8.009	0.896
5.510	5.346	3.2881	8.009	0.894
		60mVpp		

## BILL OF MATERIALS

4.5V to 5.5V Input

3.3V @ 8A Output

4/23/02

1966\_3v3

DESIGNATION	QTY	DESCRIPTION
C1	1	1uF 10V X7R ceramic capacitor (0805) Taiyo Yuden LMK212BJ105MG
C2	1	1.8nF ceramic capacitor (0805)
C3	1	22pF ceramic capacitor (0805)
C4	1	0.1uF ceramic capacitor (0805)
C5	1	220uF 10V organic semiconductor capacitor Sanyo 10SA220M
C6	1	22uF 6V X5R ceramic capacitor (1210) Taiyo Yuden JMK325BJ226MM
C7	1	820uF 6V aluminum electrolytic capacitor Sanyo 6MV820EXR
C8	1	2.2nF ceramic capacitor (0805)
D1	1	100mA 30V Schottky diode (SOT-23) Central Semi CMPSH-3
D2	1	3A 20V Schottky diode Nihon EC31QS02L
L1	1	6uH Power inductor Coilcraft DO5022P-602HC
N1	1	18m Ohm Dual N-channel MOSFET (SO-8) Fairchild FDS6890A
R1	1	120k Ohm 5% resistor (0805)
R2	1	31.6k Ohm 1% resistor (0805)
R3	1	10.0k Ohm 1% resistor (0805)
U1	1	<b>MAX1966EUB (10-uMAX)</b>