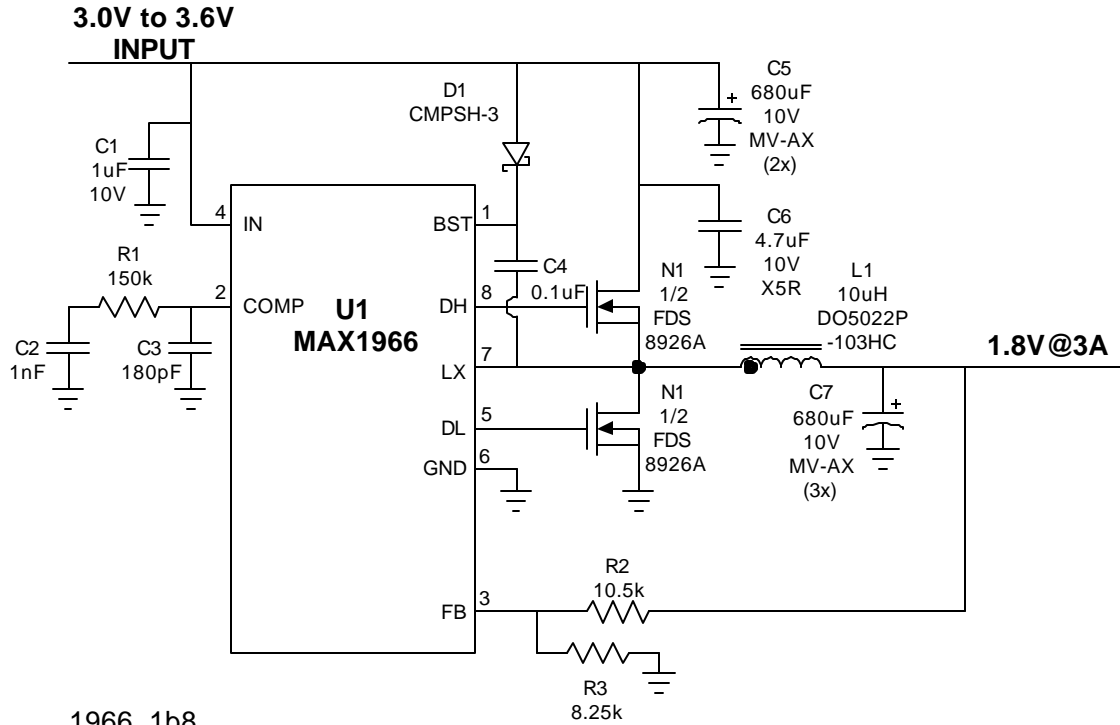


Set top box



Vin	Iin	Vout	Iout	Efficiency
3.3017	0.037	1.822	0	
2.9960	2.055	1.817	3	0.885
3.2942	1.872	1.818	3	0.884
3.6140	1.708	1.817	3	0.883
		25mVpp		

BILL OF MATERIALS
3.0V to 3.6V Input
1.8V @ 2A Output
4/11/02

1966_1b8

DESIGNATION	QTY	DESCRIPTION
C1	1	1uF 10V X7R ceramic capacitor (0805) Taiyo Yuden LMK212BJ105MG
C2	1	1nF ceramic capacitor (0603)
C3	1	180pF ceramic capacitor (0603)
C4	1	0.1uF ceramic capacitor (0603)
C5,C7	5	680uF 10V aluminum electrolytic capacitor Sanyo 10MV680AX
C6	1	4.7uF 10V X5R ceramic capacitor (1206) Taiyo Yuden LMK316BJ475ML
D1	1	100mA 30V Schottky diode Central Semi CMPSH-3
L1	1	10uH Power inductor Coilcraft DO5022P-103HC
N1		Dual N-channel MOSFET (SO-8) Fairchild FDS8926A
R1	1	150k Ohm 5% resistor (0603)
R2	1	10.5k Ohm 1% resistor (0603)
R3	1	8.25k Ohm 1% resistor (0603)
U1	1	MAX1966EUB (10-uMAX)