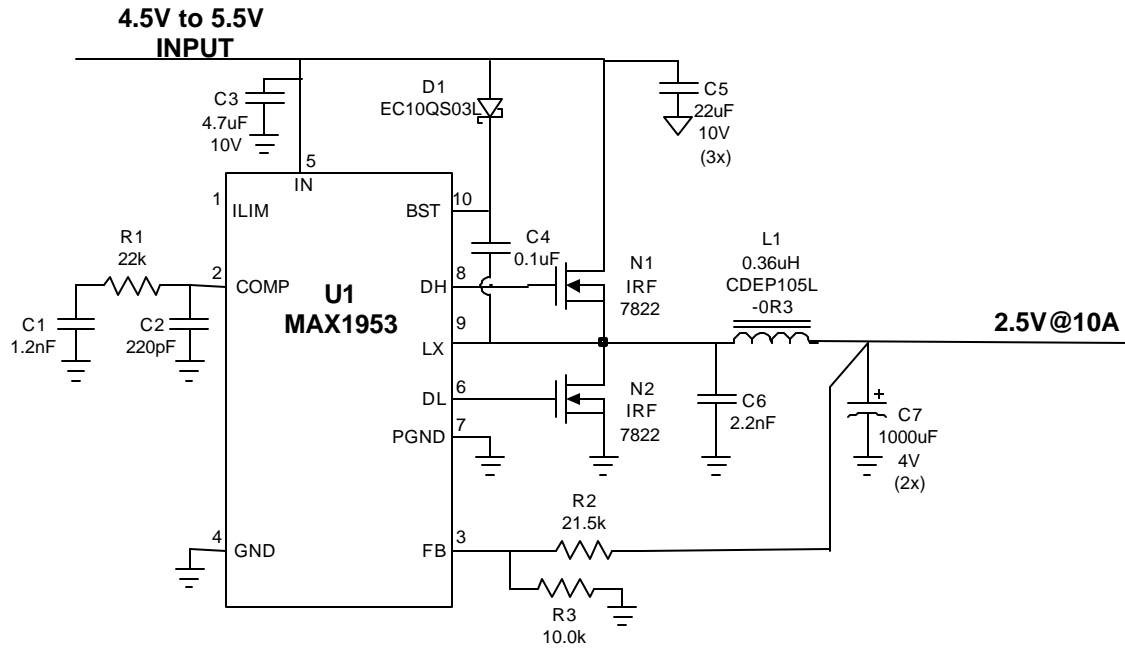


Desktop/Server



1953_2v5
 RWY
 2/26/02

MAXIM CONFIDENTIAL

Vin	Iin	Vout	Iout	Efficiency
5.0005	0.084	2.5210	0	
4.5000	6.234	2.5265	10.0	0.900
4.9955	5.633	2.5255	10.0	0.897
5.512	5.115	2.5204	10.0	0.894
		65mVpp		

BILL OF MATERIALS
4.5V to 5.5V Input
2.5V @ 10A Output
2/26/02

1953_2v5

DESIGNATION	QTY	DESCRIPTION
C1	1	1.2nF ceramic capacitor (0603)
C2	1	220pF ceramic capacitor (0603)
C3	1	4.7uF 10V ceramic capacitor (1206) Taiyo Yuden LMK316BJ475ML
C4	1	0.1uF ceramic capacitor (0603)
C5	3	22uF 10V ceramic capacitor (1812) Taiyo Yuden LMK432BJ226MM
C6	1	2.2nF ceramic capacitor (0603)
C7	2	1000uF 4V aluminum electrolytic capacitor Sanyo 4MV1000EXR
D1	1	1A 30V Schottky diode Nihon EC10QS03L
L1	1	0.36uH 12A Inductor Sumida CDEP105L-0R3
N1,N2	2	6.5m Ohm 30V N-ch MOSFET (SO-8) International Rectifier IRF7822
R1	1	22k Ohm 5% resistor (0603)
R2	1	21.5k Ohm 1% resistor (0603)
R3	1	10.0k Ohm 1% resistor (0603)
U1	1	MAX1953EUB (10-uMAX)