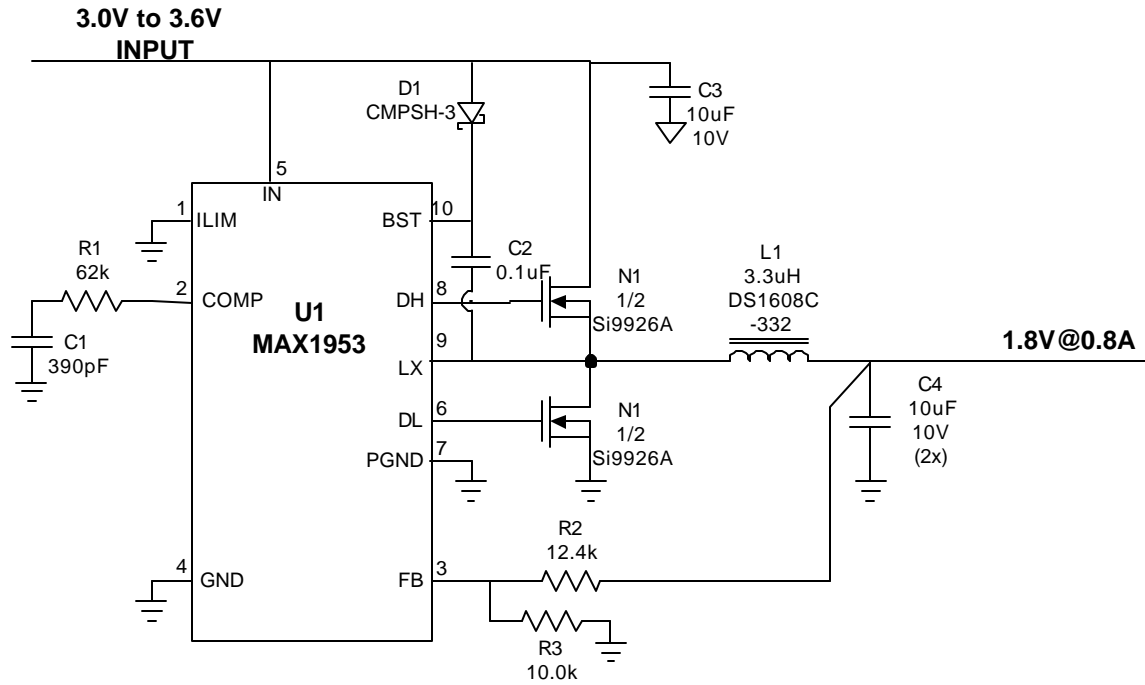


LAN access point



1953_1v8
RWY
12/21/01

MAXIM CONFIDENTIAL

This circuit has not been built and some tweaking may be necessary.

BILL OF MATERIALS**3.0V to 3.6V Input****1.8V @ 0.8A Output****12/21/01**

1953_1v8

DESIGNATION	QTY	DESCRIPTION
C1	1	390pF ceramic capacitor (0603)
C2	1	0.1uF ceramic capacitor (0603)
C3,C4	3	10uF 10V ceramic capacitor (1210) Taiyo Yuden LMK325BJ106MN
D1	1	3.1A 30V Schottky diode Nihon EC31QS03L
L1	1	3.3uH 1.2A Inductor Coilcraft DS1608C-332
N1	1	40m Ohm 20V Dual N-ch MOSFET (SO-8) Siliconix Si9926ADY
R1	1	62k Ohm 5% resistor (0603)
R2	1	12.4k Ohm 1% resistor (0603)
R3	1	10.0k Ohm 1% resistor (0603)
U1	1	MAX1953EUB (10-uMAX)