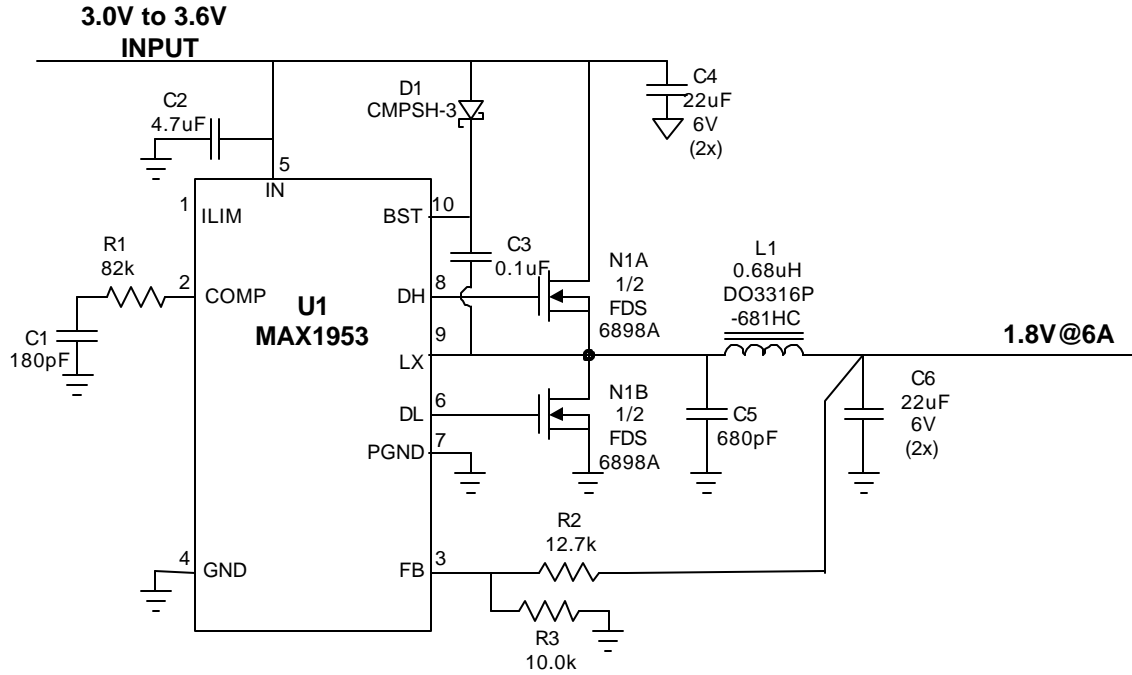


Base Station



1953_1b8
RWY
3/28/02

MAXIM CONFIDENTIAL

V _{in}	I _{in}	V _{out}	I _{out}	Efficiency
3.3050	0.029	1.8053	0	
2.9930	4.038	1.8018	6.006	0.895
3.3126	3.645	1.8022	6.007	0.896
3.6073	3.346	1.8016	6.007	0.896
		20mV _{pp}		

BILL OF MATERIALS
3.0V to 3.6V Input
1.8V @ 6A Output
3/28/02

1953_1b8

DESIGNATION	QTY	DESCRIPTION
C1	1	180pF ceramic capacitor (0603)
C2	1	4.7uF 10V X5R ceramic capacitor (1206) Taiyo Yuden LMK316BJ475ML
C3	1	0.1uF ceramic capacitor (0603)
C4,C6	4	22uF 6V ceramic capacitor (1210) Taiyo Yuden JMK325BJ226MN
C5	1	680pF ceramic capacitor (0603)
D1	1	100mA 30V Schottky diode Central Semi CMPSH-3
L1	1	0.68uH 13A Inductor Coilcraft DO3316P-681HC
N1	1	18m Ohm 20V Dual N-ch MOSFET (SO-8) Fairchild FDS6898A
R1	1	82k Ohm 5% resistor (0603)
R2	1	12.7k Ohm 1% resistor (0603)
R3	1	10.0k Ohm 1% resistor (0603)
U1	1	MAX1953EUB (10-uMAX)