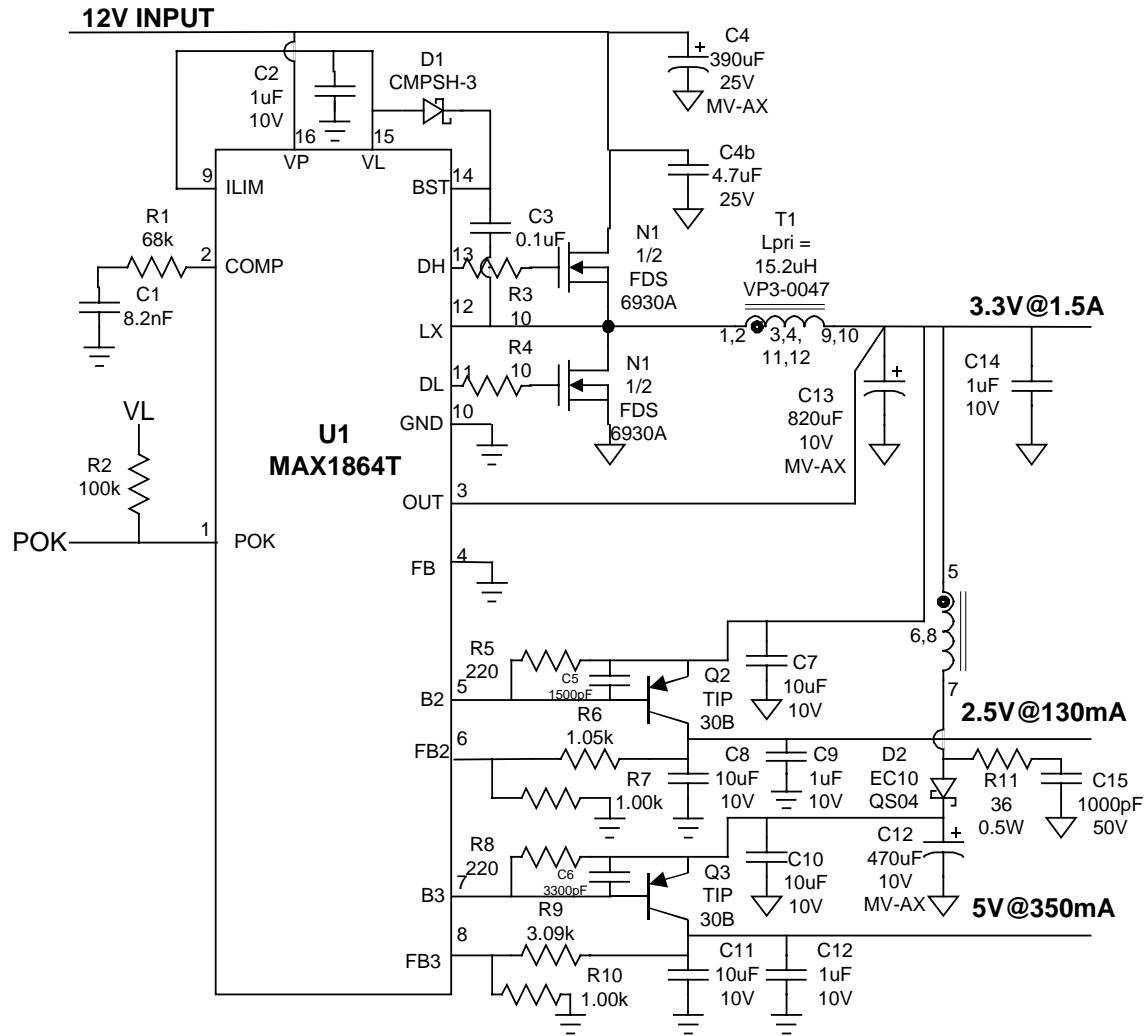


DSL Modem



1864\_3d3  
RWY  
9/3/01

Vin	In	Vout	Iout	Vout2	Iout2	Vout3	Iout3	Eff.
8.908	0.955	3.321	1.502	2.521	0.130	5.015	0.350	0.831
11.93	0.719	3.320	1.502	2.521	0.130	5.013	0.350	0.824
14.94	0.578	3.321	1.502	2.521	0.130	5.015	0.350	0.819

**BILL OF MATERIALS****12V Input****3.3V @ 1.5A, 2.5V @ 130mA, 5V @ 350mA Output**

1864\_3d3

**6/26/01**

<b>DESIGNATION</b>	<b>QTY</b>	<b>DESCRIPTION</b>
C1	1	8.2nF ceramic capacitor (0805)
C2,C9,C12,C14	4	1uF 10V X7R ceramic capacitor (0805) Taiyo Yuden LMK212BJ105MG
C3	1	0.1uF ceramic capacitor (0805)
C4	1	390uF 25V aluminum electrolytic cap Sanyo 25MV390AX
C4b	1	4.7uF 25V ceramic capacitor (1210) Taiyo Yuden TMK325BJ475MN
C5	1	1.5nF ceramic capacitor (0805)
C6	1	3.3nF ceramic capacitor (0805)
C7,C8,C10,C11	4	10uF 10V ceramic capacitor (1210) Taiyo Yuden LMK325BJ106MN
C13	1	820uF 10V aluminum electrolytic cap Sanyo 10MV820AX
C15	1	1nF 50V ceramic capacitor (radial)
D1	1	100mA Schottky diode (SOT-23) Central Semi CMPSH-3
D2	1	1A 40V Schottky diode Nihon EC10QS04
N1	1	Dual N-channel MOSFET (SO-8) Fairchild FDS6930A
Q2,Q3	2	1A 80V PNP Transistor (TO-220) TIP30B
R1	1	68k Ohm 5% resistor (0805)
R2	1	100k Ohm 5% resistor (0805)
R3,R4	2	10 Ohm 5% resistor (0603)
R5,R8	2	220 Ohm 5% resistor (0805)
R6	1	1.05k Ohm 1% resistor (0805)
R7,R10	2	1.00k Ohm 1% resistor (0805)
R9	1	3.09k Ohm 1% resistor (0805)
R11	1	36 Ohm 0.5W 5% resistor (axial)
T1	1	1:1 Transformer Lpri = 15.2uH Coiltronics VP3-0047
<b>U1</b>	<b>1</b>	<b>MAX1864TEEE (16-QSOP)</b>