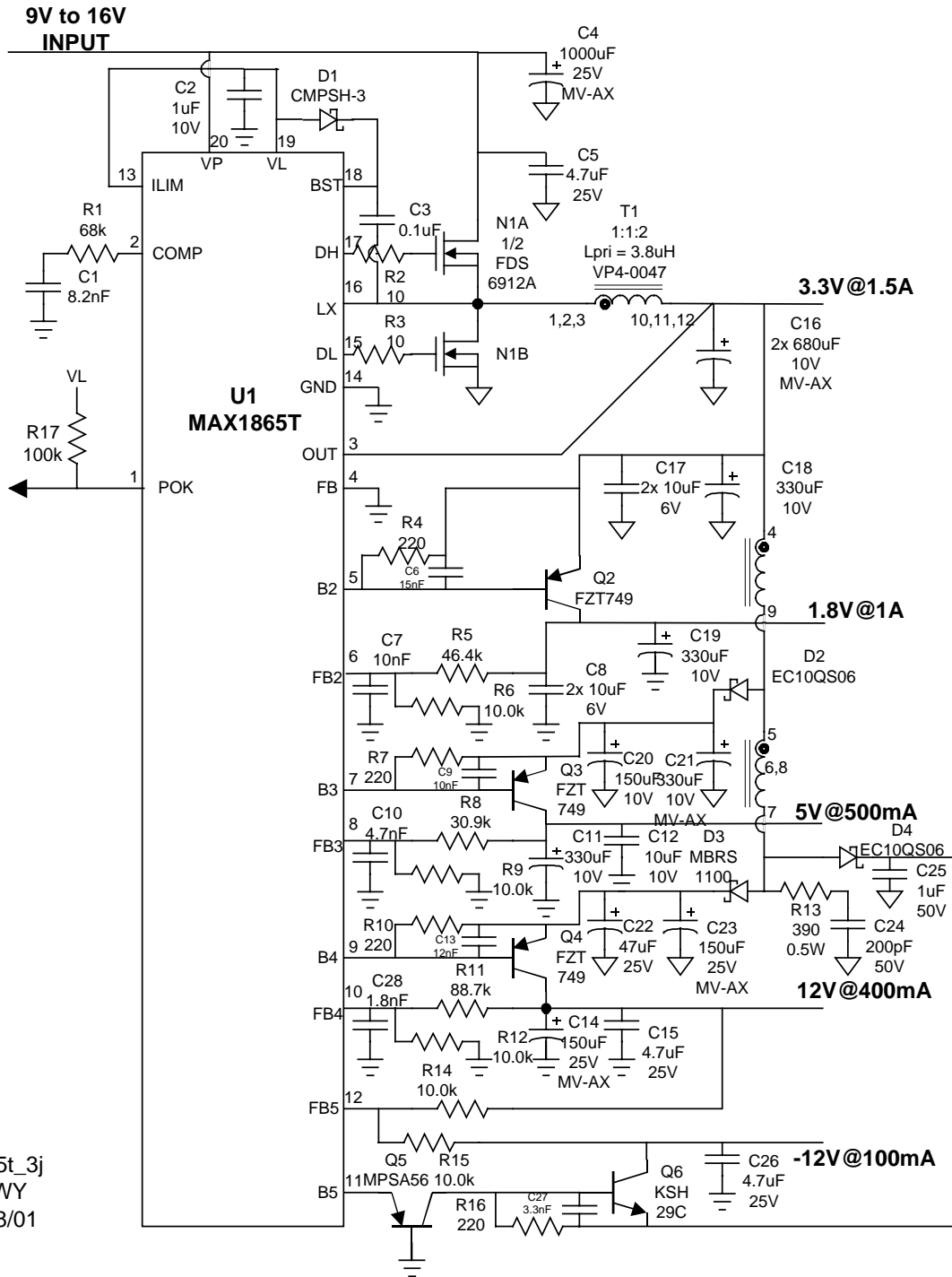


CPE Modem



1865t_3j
RWY
6/28/01

BILL OF MATERIALS**9V to 16V Input****12V @ 150mA, 5V @ 500mA, 3.3V @ 1.5A, 1.8V @ 1A, -12V @ 20mA Output****6/22/01**

1865t_3h

BOM REV: PRELIM (P1) BOARD REV: P1

DESIGNATION	QTY	DESCRIPTION
C1	1	8.2nF ceramic capacitor (0805)
C2	1	1uF 10V X7R ceramic capacitor (0805) Taiyo Yuden LMK212BJ105MG
C3	1	0.1uF ceramic capacitor (0805)
C4	1	1000uF 35V aluminum electrolytic cap Sanyo 35MV1000AX
C5	1	4.7uF 25V X5R ceramic capacitor (1210) Taiyo Yuden TMK325BJ475MN
C6	1	15nF ceramic capacitor (0805)
C7,C9	2	10nF ceramic capacitor (0805)
C8,C16	4	10uF 6V X5R ceramic capacitor (1206) Taiyo Yuden JMK316BJ106ML
C10	1	4.7nF ceramic capacitor (0805)
C11,C17,C18,C20	4	330uF 10V aluminum electrolytic cap Sanyo 10MV330AX
C12	1	10uF 10V X7R ceramic capacitor (1210) Taiyo Yuden LMK325BJ106MN
C13,C26	2	3300pF ceramic capacitor (0805)
C14,C21,C25	3	4.7uF 16V X5R ceramic capacitor (1206) Taiyo Yuden EMK316BJ475ML
C15	2	680uF 10V aluminum electrolytic cap Sanyo 10MV680AX
C19	1	150uF 10V aluminum electrolytic cap Sanyo 10MV150SAX
C22	1	47uF 25V aluminum electrolytic cap Sanyo 25MV47AX
C23	1	200pF 50V ceramic capacitor (radial)
C24	1	1uF 50V ceramic capacitor (radial)
D1	1	100mA Schottky diode (SOT-23) Central Semi CMPSH-3
D2	1	1A 60V Schottky diode Nihon EC10QS06
D3	1	1A 100V Schottky diode On Semiconductor MURS1100
N1	1	Dual N-channel MOSFET (SO-8) Fairchild FDS6912A
Q2,Q3	2	1A 40V PNP Transistor (SOT-223) Zetex FZT749

Q4	1	600mA 40V PNP Transistor (TO-92) 2N4401
Q5	1	500mA 80V PNP Transistor (TO-92) MPSA56
Q6	1	500mA 80V NPN Transistor (TO-92) MPSA06
R1	1	68k Ohm 5% resistor (0805)
R2,R3	1	10 Ohm 5% resistor (0805)
R4,R7,R10,R16	4	220 Ohm 5% resistor (0805)
R5	1	46.4k Ohm 1% resistor (0805)
R6,R9,R14,R15	4	10k Ohm 1% resistor (0805)
R8	1	30.9k Ohm 1% resistor (0805)
R11	1	8.66k Ohm 1% resistor (0805)
R12	1	1.00k Ohm 1% resistor (0805)
R13	1	390 Ohm 0.5W 5% resistor (axial)
T1	1	1:1:2 transformer Lpri = 3.8uH Coiltronics VP4-0047
U1	1	MAX1865TEEP (20-QSOP)