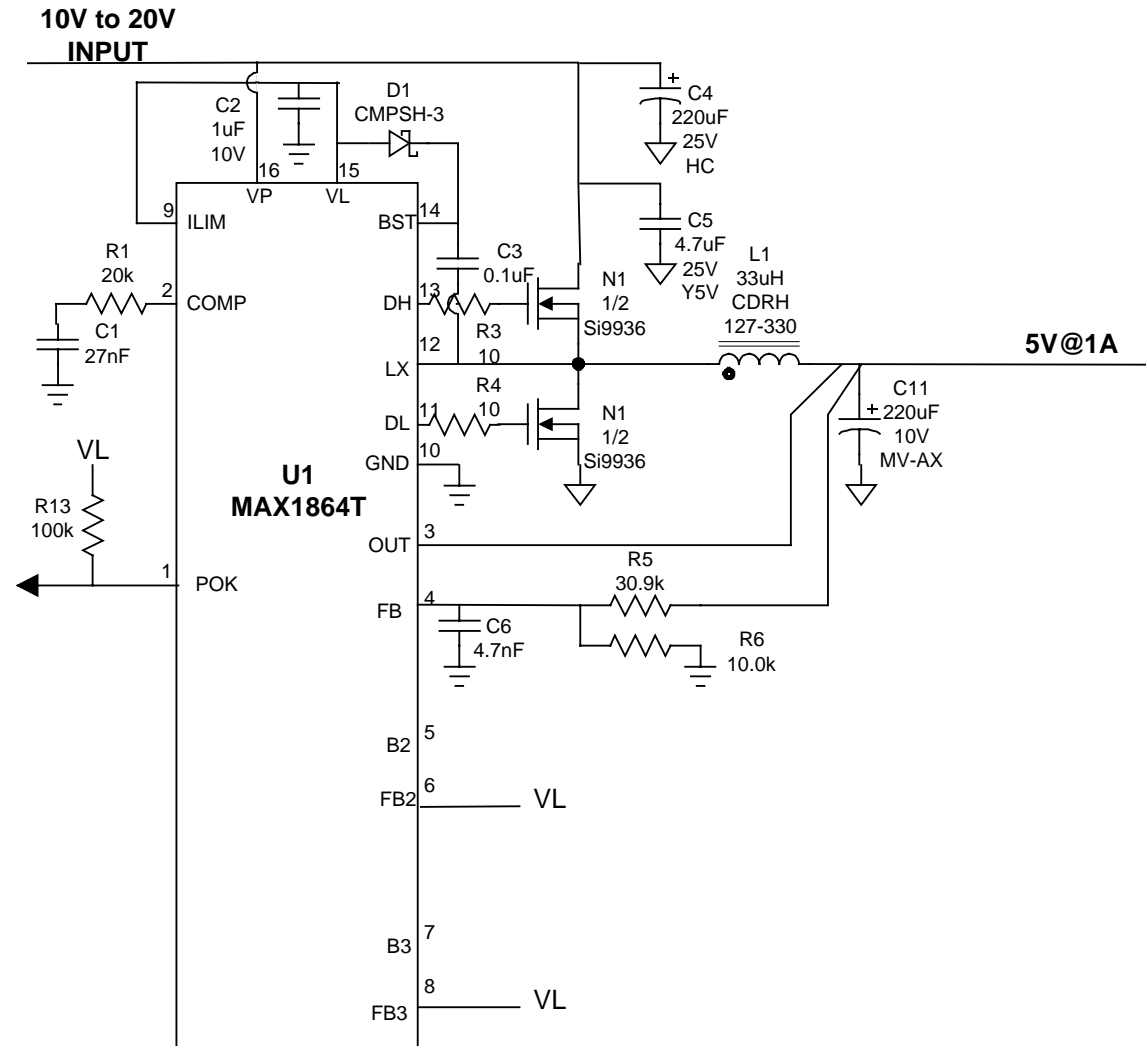


TFT Monitor



1864_5d
RWY
9/12/01

Vin	Iin	Vout	Iout	Efficiency
9.976	0.539	5.0558	1.005	0.949
14.994	0.365	5.0564	1.005	0.928
20.010	0.278	5.0570	1.005	0.914
200mVpp		100mVpp		

BILL OF MATERIALS
10V to 20V Input
5V @ 1A Output
09/12/01

1864_5d

DESIGNATION	QTY	DESCRIPTION
C1	1	27nF ceramic capacitor (0805)
C2	1	1uF 10V ceramic capacitor (0805) Taiyo Yuden LMK212BJ105MG
C3	1	0.1uF ceramic capacitor (0805)
C4	1	220uF 25V aluminum electrolytic capacitor Sanyo 25MV220HC
C5	1	4.7uF 25V Y5V ceramic capacitor (1206) Taiyo Yuden TMK316F475MG
C6	1	4.7nF ceramic capacitor (0805)
C7	1	220uF 10V aluminum electrolytic capacitor Sanyo 10MV220AX
D1	1	100mA 30V Schottky diode Central Semi CMPSH-3
L1	1	33uH 3A Power inductor Sumida CDRH127-330
N1	1	50m Ohm 30V Dual MOSFET (8-SO) International Rectifier IR7303
R1	1	20k Ohm 5% resistor (0805)
R2	1	100k Ohm 5% resistor (0805)
R3,R4	2	10 Ohm 5% resistor (0805)
R5	1	30.9 k Ohm 1% resistor (0805)
R6	1	10.0k Ohm 1% resistor (0805)
U1	1	MAX1864TEEE (16-QSOP)