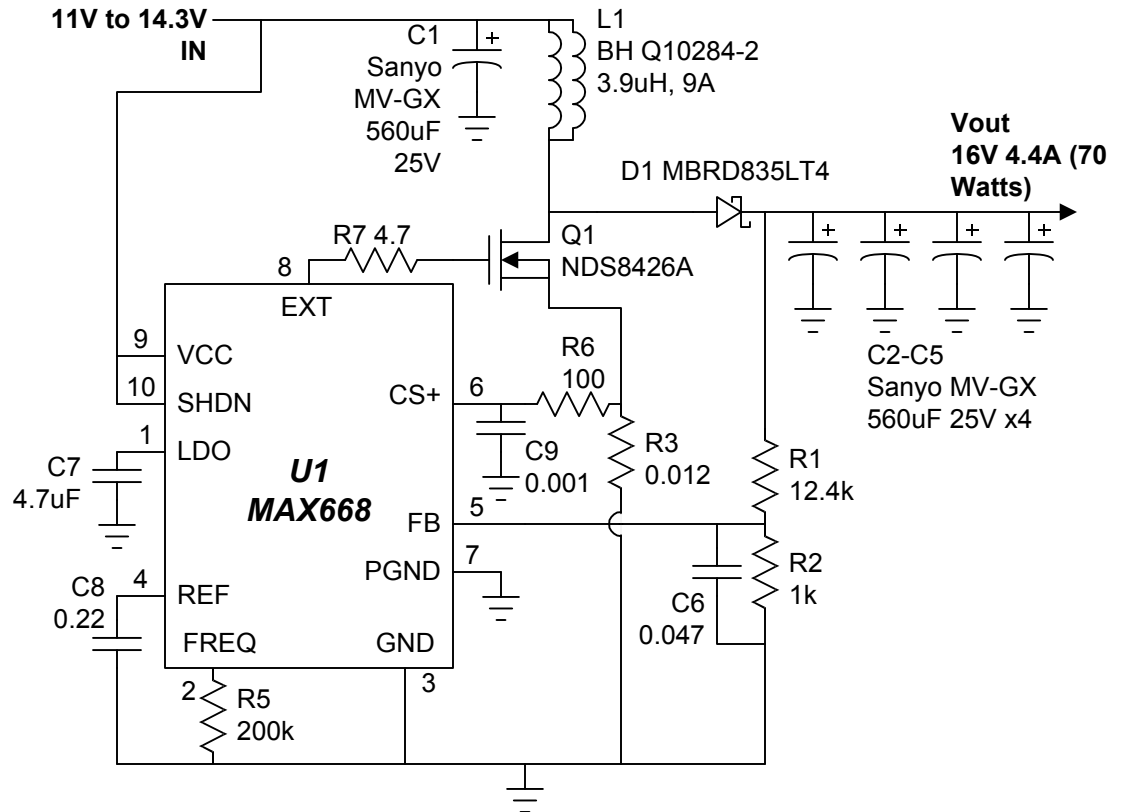


7/20/99 - LHS

**+11V to 14.3V Input to 16V at 70 Watts (4.4A)**



NOTES:

- 1) Capacitor C2-C5 are connected in parallel for ripple current rating. Fewer caps may be used if ripple current ratings allow
- 2) Measured efficiency was 93% at 12V Input and full load